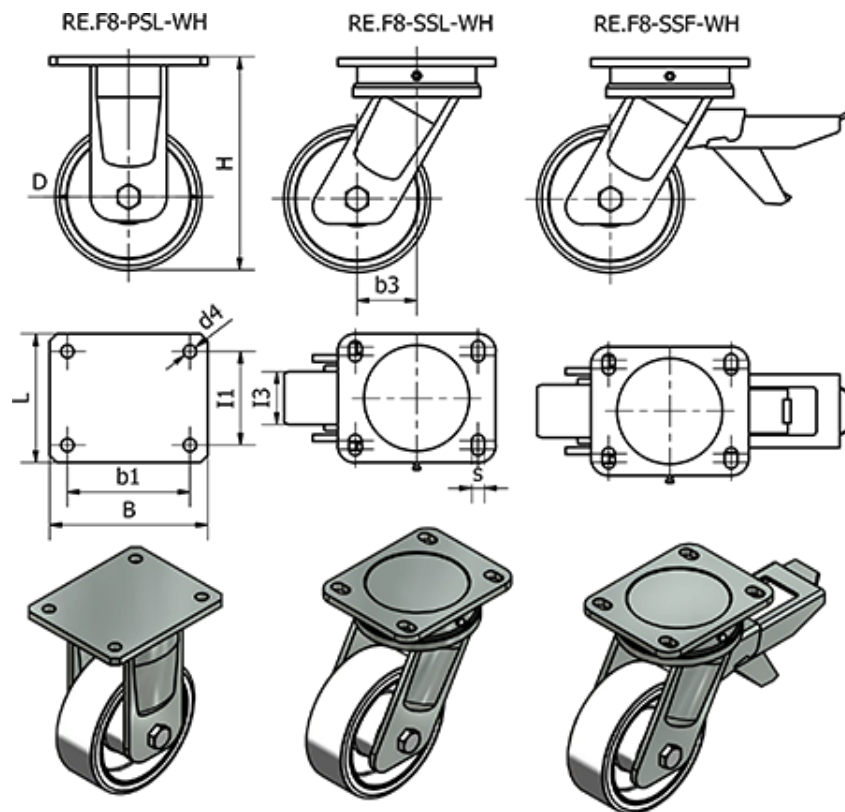


Article number: 2314449462

Description: E+G polyamide wheel

RE.F8-150-SSL-WH - Turning plate wo/brake in Zinc-plated steel

## Measures



|                               |          |                        |                    |
|-------------------------------|----------|------------------------|--------------------|
| B                             | = 135    | I1                     | = 80               |
| b1                            | = 105    | I3                     | = 45               |
| b3                            | = 60     | L                      | = 110              |
| Code                          | = 449462 | R                      | = 157              |
| D                             | = 150    | Rolling resistance (N) | = 4550             |
| d4                            | =        | s                      | = 11               |
| Dynamic carrying capacity (N) | = 7500   | Type                   | = RE.F8-150-SSL-WH |
| H                             | = 210    | Weight (g)             | = 3740             |